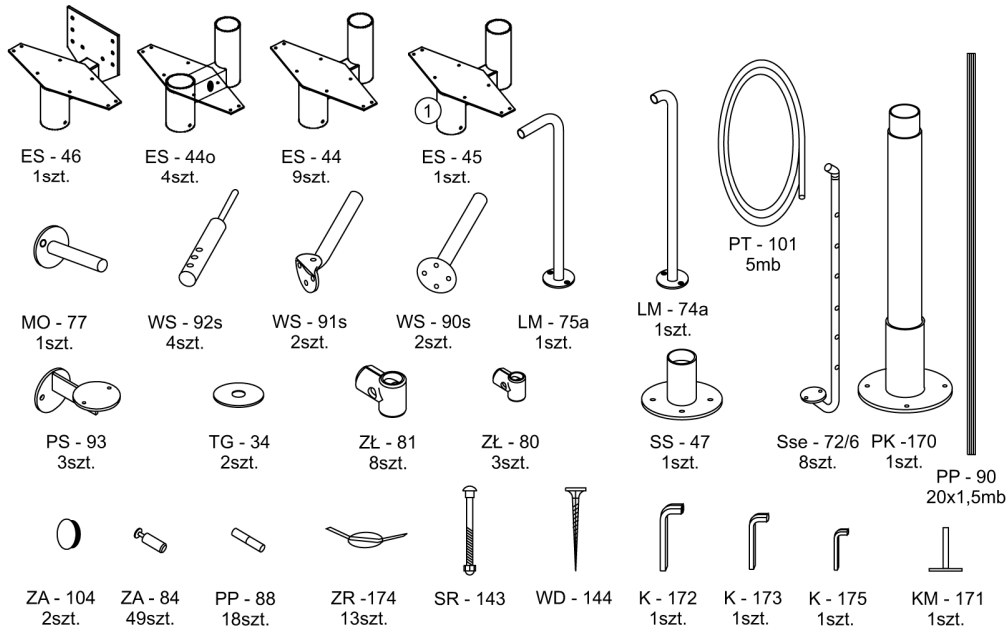
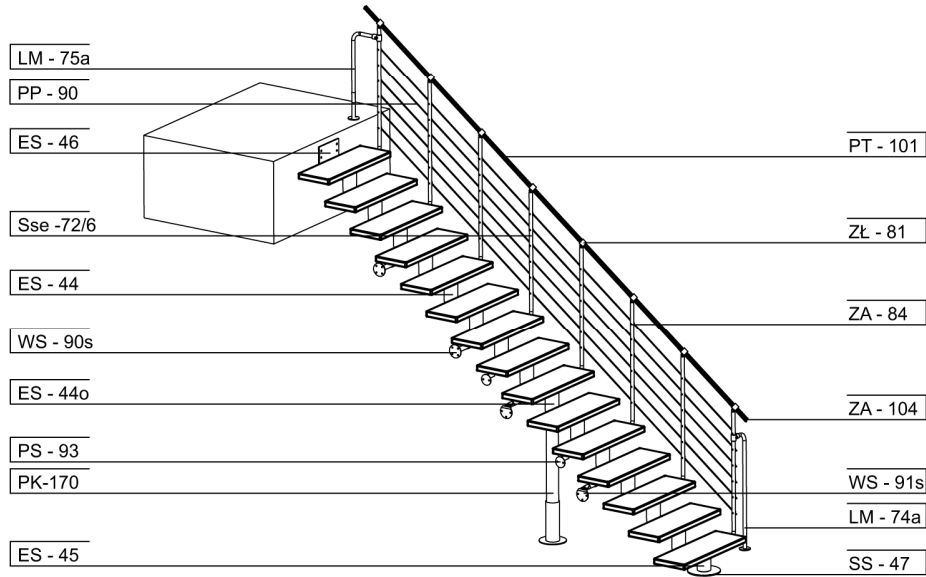


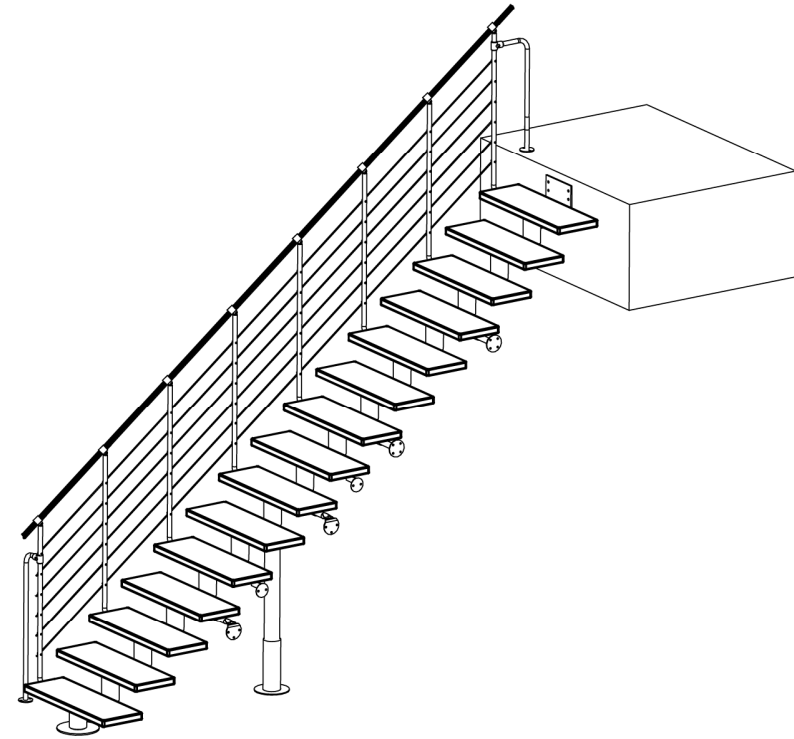
# ATRIUM SEGMENT PLUS

VER. 2.0

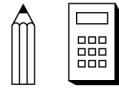


~ 280 kg

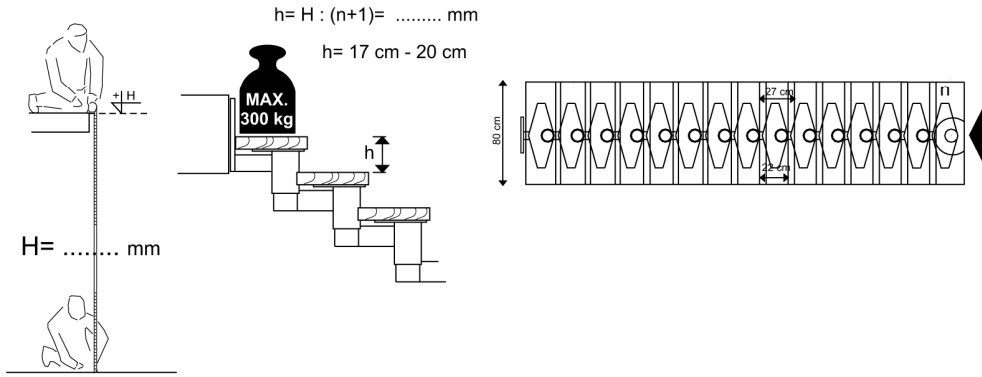
# ATRIUM SEGMENT PLUS



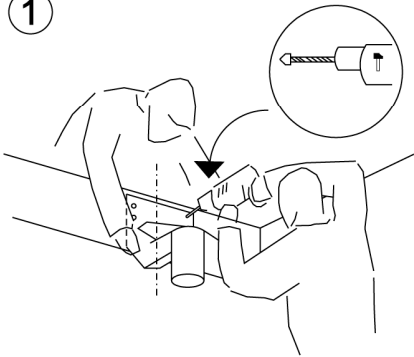
# ATRIUM SEGMENT PLUS



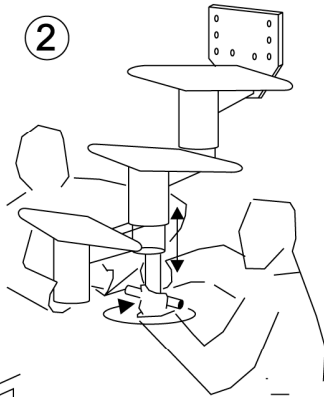
VER. 2.0



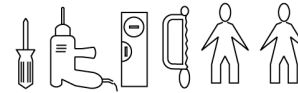
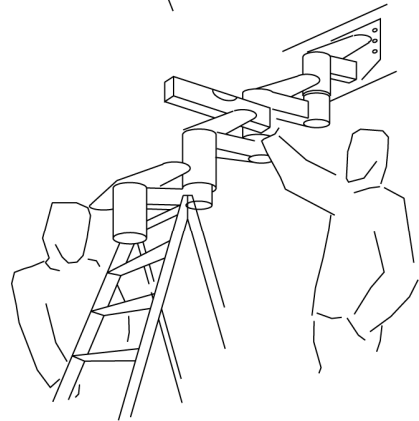
1



2



3



# ATRIUM SEGMENT PLUS

VER. 2.0

